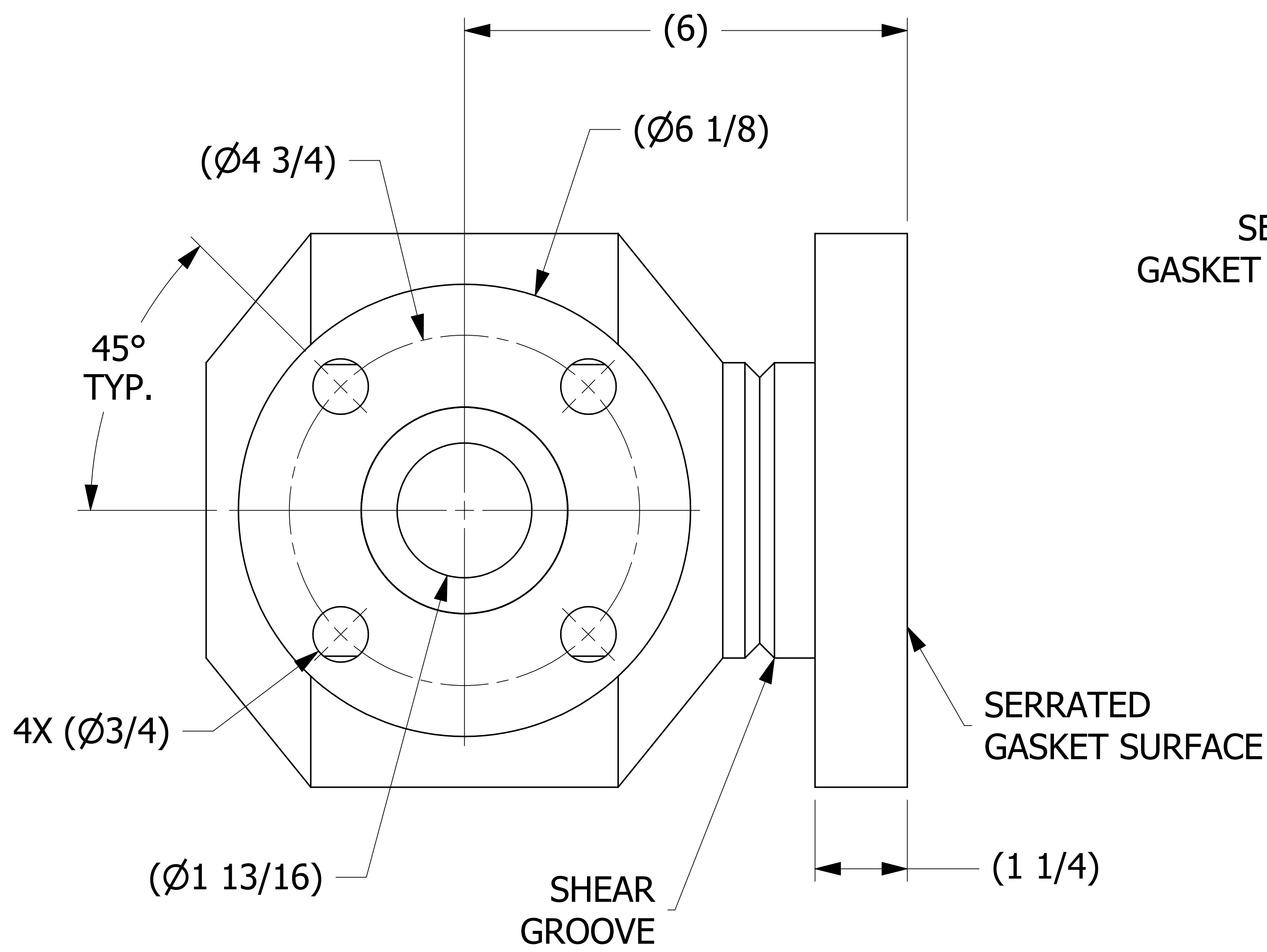
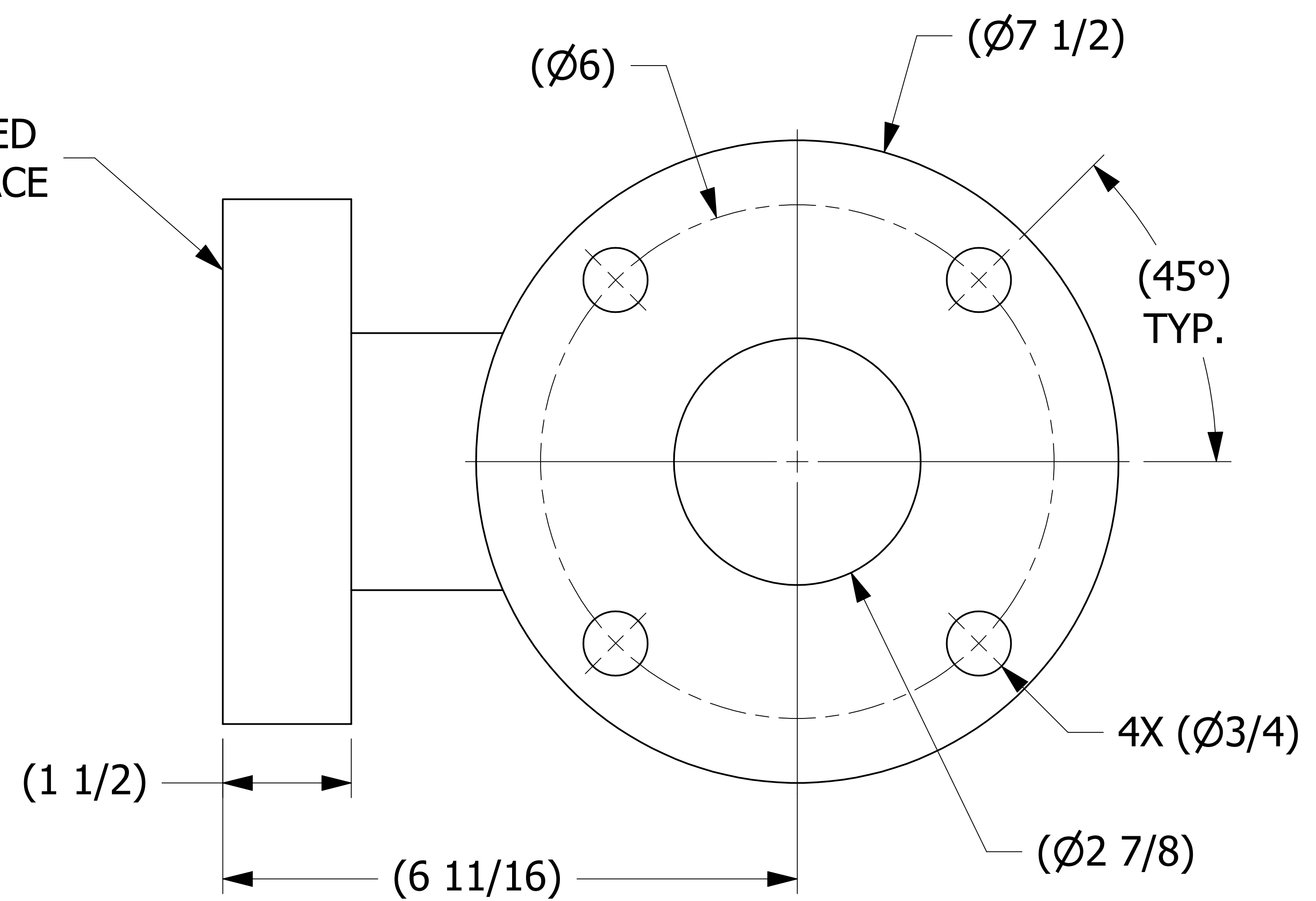


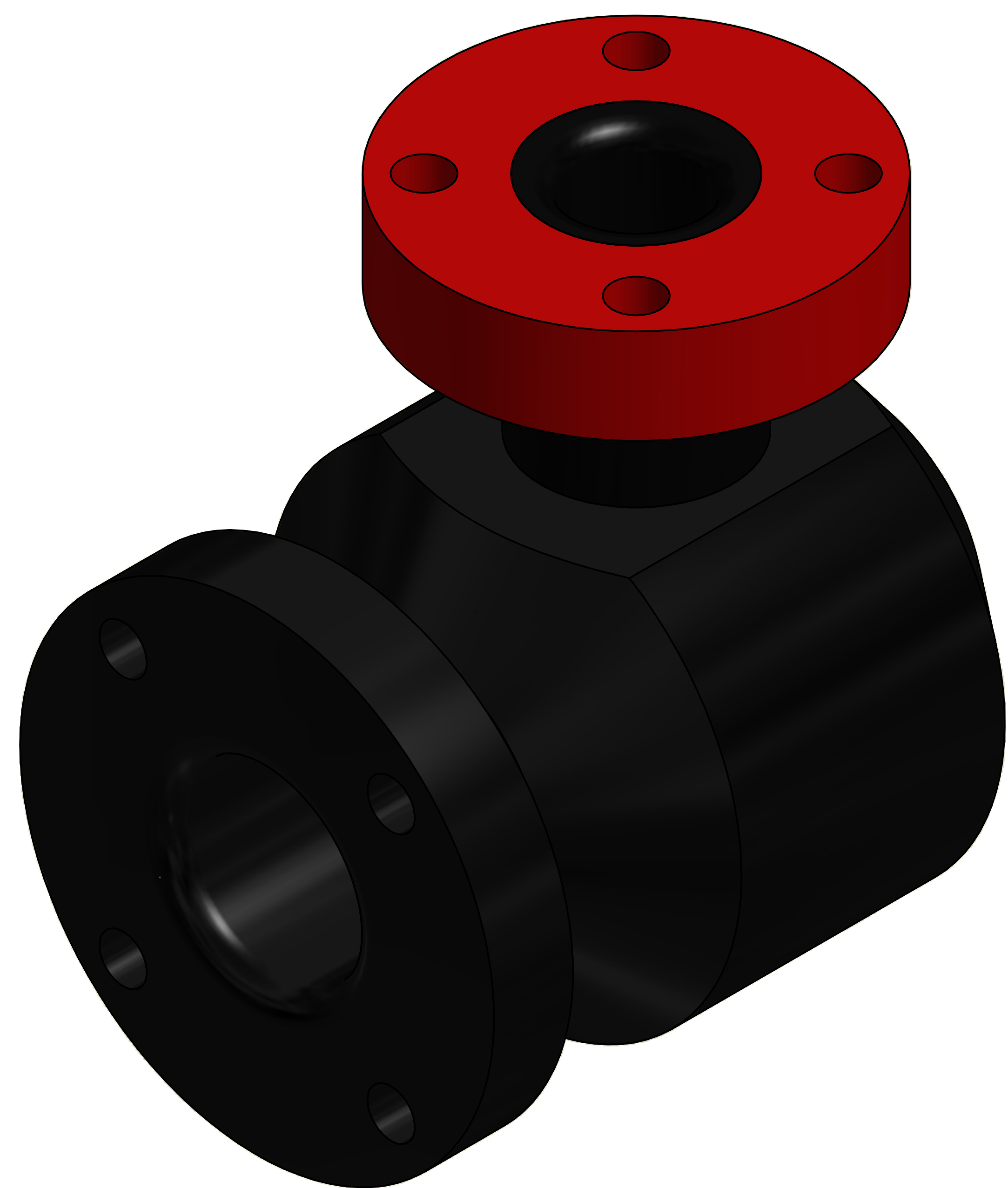
SALES DRAWING SALES DRAWING SALES DRAWING



SERRATED GASKET SURFACE

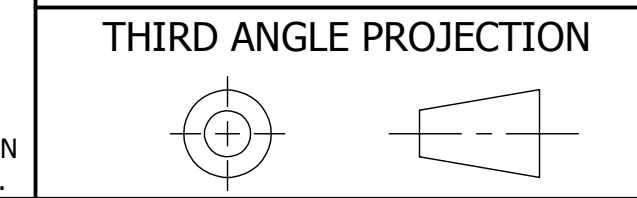


SALES DRAWING SALES DRAWING SALES DRAWING



ISOMETRIC VIEW

UNLESS OTHERWISE SPECIFIED
DIMENSIONAL TOLERANCES
FRACTIONAL: $\pm 1/16$
X.XX: $\pm .03$
X.XXX: $\pm .015$
ANGULAR: $\pm 1^\circ$
DEBURR ALL SHARP EDGES.
ALL MACHINED SURFACES TO
HAVE A 125 RMS FINISH UNLESS
NOTED OTHERWISE.



DRAWN BY:	JG
CHECKED BY:	EJF
PROTOTYPE BY:	JG
PROTOTYPE DATE:	1/12/2016
APPROVED FOR PRODUCTION BY:	CHL
PRODUCTION DATE:	1/20/2016

REV	BY	DATE	DESCRIPTION
A	JG	1-20-16	RELEASED FOR PRODUCTION

SALCO PRODUCTS, INC.

PART NAME: **PIPE ELBOW 3"X2"X90°**

MATERIAL: **SALCO PE**

PROJECT #: **H160108F** SHEET #: **1 OF 1** SCALE: **1:1**

DRAWING #: **E43048** PART #: **HS3X2X90PE7**